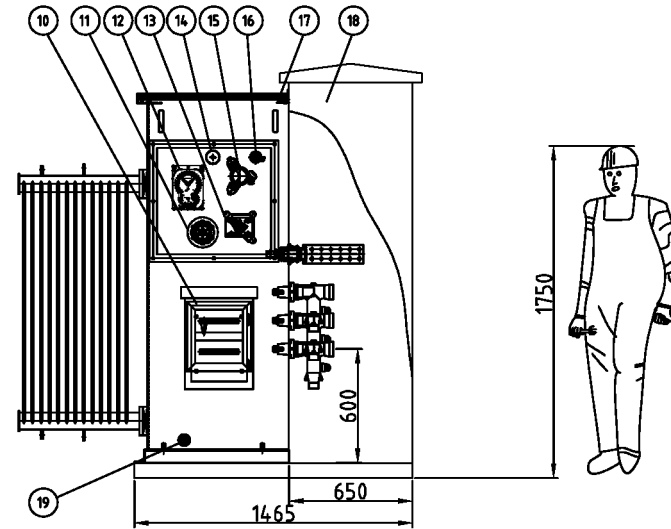
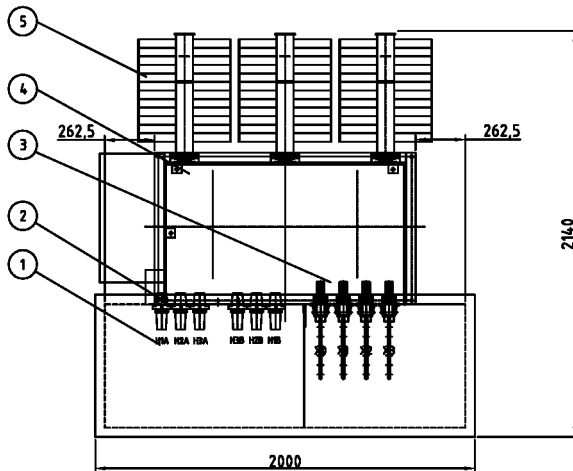
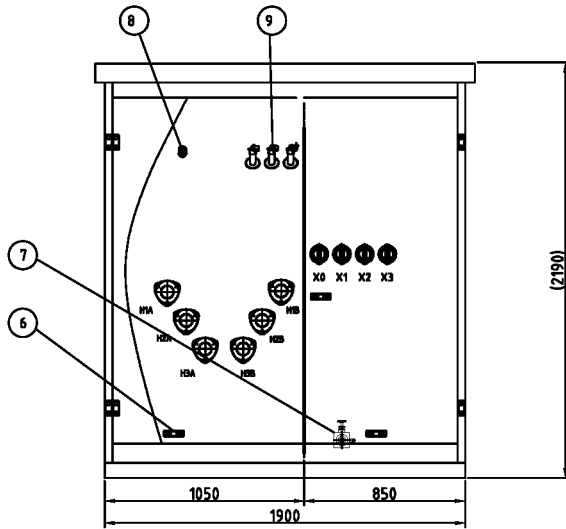


NO.
DWG



ITEM	WEIGHT(Kg)
TANK & ACCESORIES	2230
TOTAL OIL WEIGHT	980
TOTAL WEIGHT	3650

ITEM	FITTINGS AND DESCRIPTIONS	QTY
1	sleeve joint (TT-15/600)	6
2	HV BUSHING (TGZ-15/600)	6
3	LV BUSHING (1.0KV 2200A)	4
4	TANK AND COVER ASSEMBLY	1
5	RADIATORS(PC1100-13/480)	3
6	2-HOLE HORIZ NEMA GRD PAD	3
7	OIL DRAIN VALVE(DN25)	1
8	OIL FILL VALVE	1
9	HV Fuse(PRNT4-15.5/100)	3
10	MARSHALLING BOX	1
11	TAP CHANGER (WSLII3-63/20-6×5)	1
12	OIL THERMOMETER (BWY-803A)	1
13	Load Switch(FYN33-12/630-20)	1
14	PRESSURE RELIEF DEVICE(YZF-35/25KI)	1
15	OIL-LEVEL INDICATOR(YZF-90)	1
16	vacuum manometer(YZ-70)	1
17	LIFTING LUGS	4
18	Metal Jacket	1
19	OIL SAMPLING VAVAES	1

TYPE
ZGSL-H-1250/12.47/0.415 5.75% Dyn1

DWG. NAME
General Assembly Drawing

DRAWN	CHECKED	CHECKED	APPROVED	FIRST ANGLE PROJECTION	SCALE	1
H.H.Xu	Z.Y.Heng	H.J.Qiao	D.J.Mei			

1.710.XXXX

Power and Data Management LLC.

REV. NO.
△

CHANGE